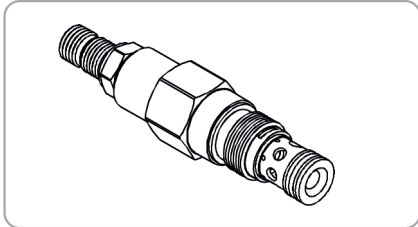


WRDA SERIES DIRECT ACTING RELIEF VALVES

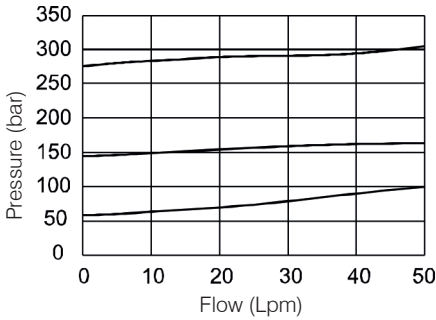
WRDA - 01 Series



Description

Direct-acting relief cartridges are normally closed, pressure-limiting valves used to protect hydraulic components from pressure transients. When the pressure at the port 1 (inlet) reaches the valve setting, the valve starts to open to port 2 (tank), throttling flow to limit the pressure rise. These valves are smooth and quiet, essentially zero leak, dirt tolerant, immune to silting and are very fast. Valve is relatively insensitive to varying oil temperatures and oil borne contamination. Suitable for use in load holding and cross port relief circuits applications.

Performance



Specifications

| Model Number | Max. Pressure (bar) | Max. Flow (lpm) | Weight (Kg) |
|-----------------------|---------------------|-----------------------------|----------------|
| WRDA-01 | 350 (5076psi) | 45 (11.89gpm) | 0.18 (0.4 lbs) |
| Fluid Type | | ISO VG 32, 46, 68 | |
| Viscosity cSt | | 10~400 (59~1854 SSU) | |
| Operating Temperature | | -15~70 (-5~158°F) | |
| Contamination Level | | ISO4406.21/19/16 NAS1638,10 | |

How To Order

| | | | | |
|-------------|-----------|------------|------------|------------|
| 1 | 2 | 3 | 4 | 5 |
| WRDA | 01 | - * | - * | - * |

1 Valve Series

WRDA=Direct Acting Relief Valves

2 Subplate Mounting Size

01 :T-162A Cavity :CST-162A

3 Adjustment Pressure

01 :T-162A Cavity :CST-162A

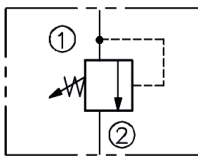
| Order | Adjustment pressure |
|-----------|---------------------|
| 06 | 15 ~ 60 (bar) |
| 21 | 35 ~ 210 (bar) |
| 42 | 90 ~ 420 (bar) |

4 Adjustment Option

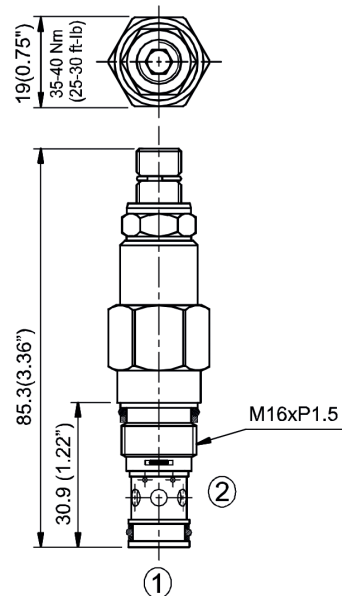
| | | |
|-------------|-------------------|--|
| NONE | NONE:TOOL ADJUST | |
| K | K:HAND-BAR ADJUST | |

5 Desing No.

Control Port (S)

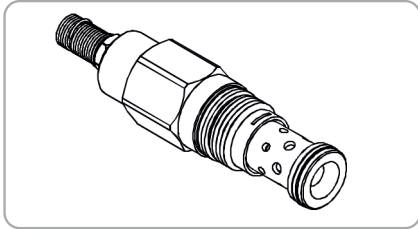


Dimensions



WRDA SERIES DIRECT ACTING RELIEF VALVES

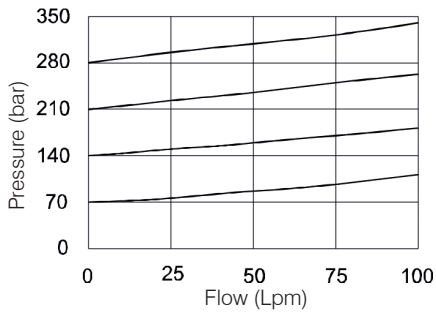
WRDA - 02 Series



Description

Direct-acting relief cartridges are normally closed, pressure-limiting valves used to protect hydraulic components from pressure transients. When the pressure at the port 1 (inlet) reaches the valve setting, the valve starts to open to port 2 (tank), throttling flow to limit the pressure rise. These valves are smooth and quiet, essentially zero leak, dirt tolerant, immune to silting and are very fast. Valve is relatively insensitive to varying oil temperatures and oil borne contamination. Suitable for use in load holding and cross port relief circuits applications.

Performance



Specifications

| Model Number | Max. Pressure (bar) | Max. Flow (lpm) | Weight (Kg) |
|-----------------------|---------------------|-----------------------------|----------------|
| WRDA-02 | 420 (6092psi) | 100 (26.42gpm) | 0.18 (0.4 lbs) |
| Fluid Type | | ISO VG 32, 46, 68 | |
| Viscosity cSt | | 10~400 (59~1854 SSU) | |
| Operating Temperature | | -15~70 (-5~158°F) | |
| Contamination Level | | ISO4406.21/19/16 NAS1638,10 | |

How To Order

| | | | | |
|-------------|-----------|------------|------------|------------|
| 1 | 2 | 3 | 4 | 5 |
| WRDA | 02 | - * | - * | - * |

1 Valve Series

WRDA=Direct Acting Relief Valves

2 Subplate Mounting Size

02 :T-10A Cavity :CST-10A

3 Adjustment Pressure

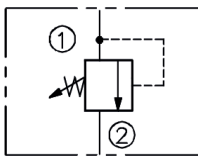
| Order | Adjustment pressure |
|-----------|---------------------|
| 06 | 15 ~ 60 (bar) |
| 10 | 20 ~ 105 (bar) |
| 21 | 35 ~ 210 (bar) |
| 42 | 80 ~ 420 (bar) |

4 Adjustment Option

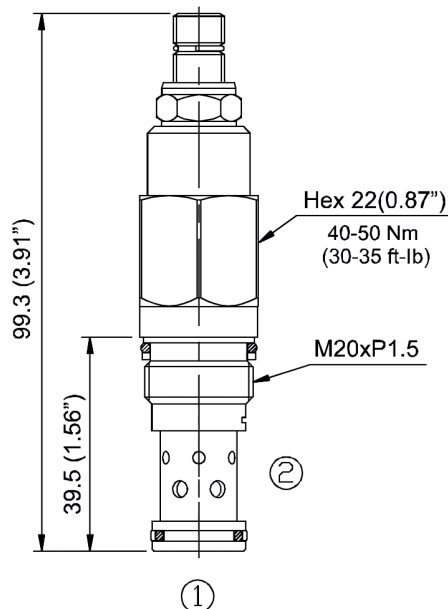
| | | |
|-------------|-------------------|--|
| NONE | NONE:TOOL ADJUST | |
| K | K:HAND-BAR ADJUST | |

5 Desing No.

Control Port (S)

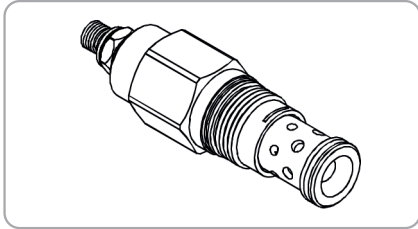


Dimensions



WRDA SERIES DIRECT ACTING RELIEF VALVES

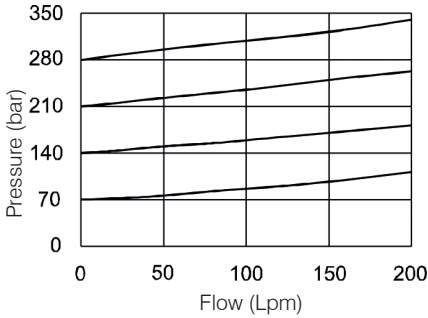
WRDA -03 Series



Description

Direct-acting relief cartridges are normally closed, pressure-limiting valves used to protect hydraulic components from pressure transients. When the pressure at the port 1 (inlet) reaches the valve setting, the valve starts to open to port 2 (tank), throttling flow to limit the pressure rise. These valves are smooth and quiet, essentially zero leak, dirt tolerant, immune to silting and are very fast. Valve is relatively insensitive to varying oil temperatures and oil borne contamination. Suitable for use in load holding and cross port relief circuits applications.

Performance



Specifications

| Model Number | Max. Pressure (bar) | Max. Flow (lpm) | Weight (Kg) |
|-----------------------|---------------------|-----------------------------|----------------|
| WRDA-03 | 420 (6092psi) | 200 (52.48gpm) | 0.4 (0.88 lbs) |
| Fluid Type | | ISO VG 32, 46, 68 | |
| Viscosity cSt | | 10~400 (59~1854 SSU) | |
| Operating Temperature | | -15~70 (-5~158°F) | |
| Contamination Level | | ISO4406.21/19/16 NAS1638,10 | |

How To Order

| 1 | 2 | 3 | 4 | 5 |
|------|----|-----|-----|-----|
| WRDA | 03 | - * | - * | - * |

1 Valve Series
WRDA=Direct Acting Relief Valves

2 Subplate Mounting Size
03 :T-3A Cavity :CST-3A

3 Adjustment Pressure

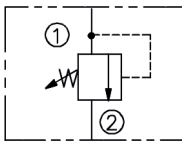
| Order | Adjustment pressure |
|-------|---------------------|
| 06 | 15 ~ 60 (bar) |
| 10 | 20 ~ 105 (bar) |
| 21 | 35 ~ 210 (bar) |
| 42 | 80 ~ 420 (bar) |

4 Adjustment Option

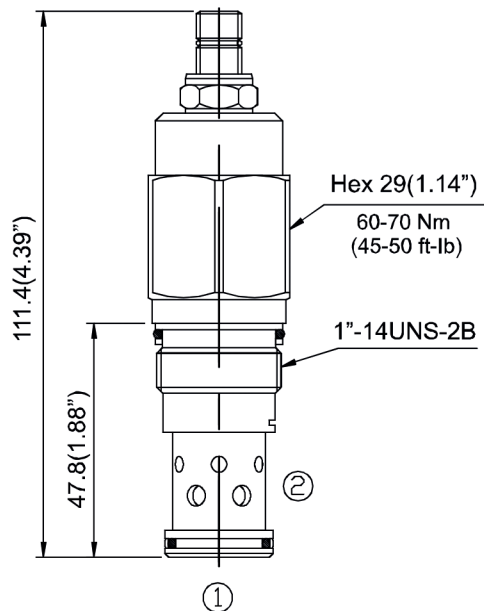
| | | |
|------|-------------------|--|
| NONE | NONE:TOOL ADJUST | |
| K | K:HAND-BAR ADJUST | |

5 Desing No.

Control Port (S)

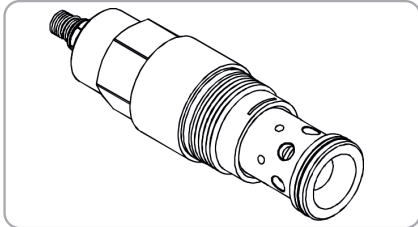


Dimensions



WRDA SERIES DIRECT ACTING RELIEF VALVES

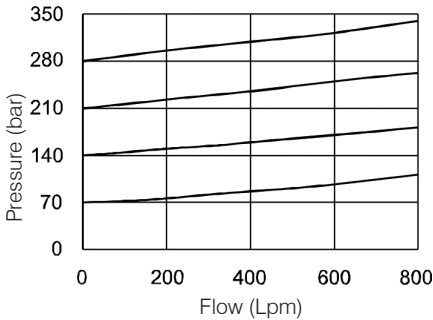
WRDA - 10 Series



Description

Direct-acting relief cartridges are normally closed, pressure-limiting valves used to protect hydraulic components from pressure transients. When the pressure at the port 1 (inlet) reaches the valve setting, the valve starts to open to port 2 (tank), throttling flow to limit the pressure rise. These valves are smooth and quiet, essentially zero leak, dirt tolerant, immune to silting and are very fast. Valve is relatively insensitive to varying oil temperatures and oil borne contamination. Suitable for use in load holding and cross port relief circuits applications.

Performance



Specifications

| Model Number | Max. Pressure (bar) | Max. Flow (lpm) | Weight (Kg) |
|-----------------------|---------------------|-----------------------------|----------------|
| WRDA-10 | 420 (6092psi) | 760 (200.77gpm) | 1.53 (3.37lbs) |
| Fluid Type | | ISO VG 32, 46, 68 | |
| Viscosity cSt | | 10~400 (59~1854 SSU) | |
| Operating Temperature | | -15~70 (-5~158°F) | |
| Contamination Level | | ISO4406.21/19/16 NAS1638,10 | |

How To Order

| | | | | |
|----------|----------|----------|----------|----------|
| 1 | 2 | 3 | 4 | 5 |
| WRDA | 10 | - * | - * | - * |

1 Valve Series

WRDA=Direct Acting Relief Valves

2 Subplate Mounting Size

01 :T-18A Cavity :CST-18A

3 Adjustment Pressure

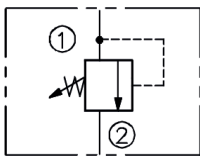
| Order | Adjustment pressure |
|-------|---------------------|
| 06 | 15 ~ 60 (bar) |
| 10 | 20 ~ 105 (bar) |
| 21 | 35 ~ 210 (bar) |
| 42 | 80 ~ 420 (bar) |

4 Adjustment Option

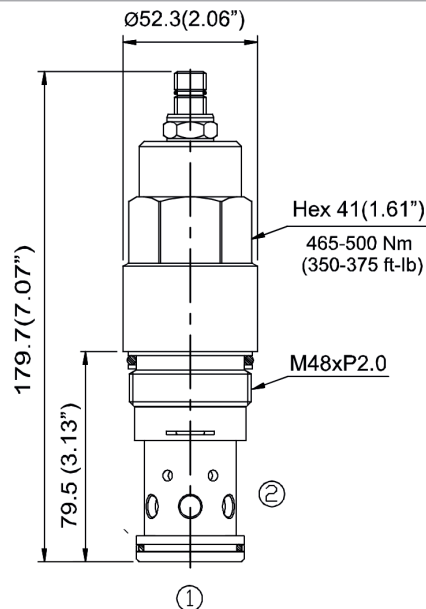
| | | |
|------|-------------------|--|
| NONE | NONE:TOOL ADJUST | |
| K | K:HAND-BAR ADJUST | |

5 Desing No.

Control Port (S)

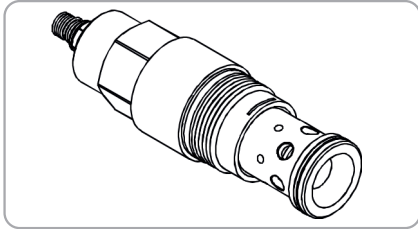


Dimensions



WRDA SERIES DIRECT ACTING RELIEF VALVES

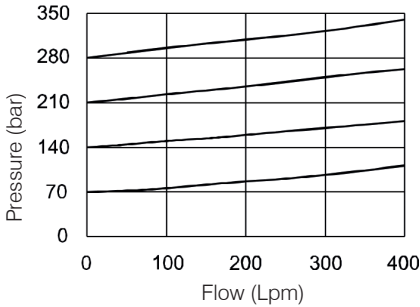
WRDA - 06 Series



Description

Direct-acting relief cartridges are normally closed, pressure-limiting valves used to protect hydraulic components from pressure transients. When the pressure at the port 1 (inlet) reaches the valve setting, the valve starts to open to port 2 (tank), throttling flow to limit the pressure rise. These valves are smooth and quiet, essentially zero leak, dirt tolerant, immune to silting and are very fast. Valve is relatively insensitive to varying oil temperatures and oil borne contamination. Suitable for use in load holding and cross port relief circuits applications.

Performance



Specifications

| Model Number | Max. Pressure (bar) | Max. Flow (lpm) | Weight (Kg) |
|-----------------------|---------------------|-----------------------------|----------------|
| WRDA-06 | 420 (6092psi) | 380 (100.39gpm) | 0.7 (1.54 lbs) |
| Fluid Type | | ISO VG 32, 46, 68 | |
| Viscosity cSt | | 10~400 (59~1854 SSU) | |
| Operating Temperature | | -15~70 (-5~158°F) | |
| Contamination Level | | ISO4406.21/19/16 NAS1638,10 | |

How To Order

| | | | | |
|----------|----------|----------|----------|----------|
| 1 | 2 | 3 | 4 | 5 |
| WRDA | 06 | - * | - * | - * |

1 Valve Series
VRDA=Direct Acting Relief Valves

2 Subplate Mounting Size
01 :T-16A Cavity :CST-16A

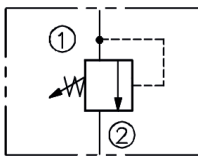
3 Adjustment Pressure

4 Adjustment Option

| | | |
|------|-------------------|--|
| NONE | NONE:TOOL ADJUST | |
| K | K:HAND-BAR ADJUST | |

5 Desing No.

Control Port (S)



Dimensions

